

**Part Number: PT908-11175-02 (Gas)**  
**PT908-11176-02 (Hybrid)**

**Kit Contents**

Item #	Quantity Req.	Description
1	1	Cargo Tray
2		
3		

**Vehicle Service Parts** (may be required for reassembly)

Item #	Quantity Req.	Description
1		
2		
3		

**Hardware Bag Contents**

Item #	Quantity Req.	Description
1		
2		
3		

**Additional Items Required For Installation**

Item #	Quantity Req.	Description
1		
2		
3		

**Conflicts**

None
------

**Recommended Tools**

<b>Personal &amp; Vehicle Protection</b>	<b>Notes</b>
Cover or blanket	
<b>Special Tools</b>	<b>Notes</b>
None	
<b>Installation Tools</b>	<b>Notes</b>
None	
<b>Special Chemicals</b>	<b>Notes</b>
None	







**General Applicability**

All LC/LCh models (check part number)
---------------------------------------

**Recommended Sequence of Application**

Item #	Accessory
1	Cargo Tray
2	Cargo Net
3	

**Legend**

	<b>STOP:</b> Damage to the vehicle may occur. Do not proceed until process has been complied with.
	<b>OPERATOR SAFETY:</b> Use caution to avoid risk of injury.
	<b>CAUTION:</b> A process that must be carefully observed in order to reduce the risk of damage to the accessory/vehicle and to ensure a quality installation.
	<b>TOOLS &amp; EQUIPMENT:</b> Used in Figures calls out the specific tools and equipment recommended for this process.
	<b>REVISION MARK:</b> This mark highlights a change in installation with respect to previous issue.
	<b>SAFETY TORQUE:</b> This mark indicates that torque is related to safety.

\*Mandatory

Care must be taken when installing this accessory to ensure damage does not occur to the vehicle. The installation of this accessory should follow approved guidelines to ensure a quality installation.

These guidelines can be found in the "Accessory Installation Practices" document.

This document covers such items as:-

- Vehicle Protection (use of covers and blankets, cleaning chemicals, etc.).
- Safety (eye protection, rechecking torque procedure, etc.).
- Vehicle Disassembly/Reassembly (panel removal, part storage, etc.).
- Electrical Component Disassembly/Reassembly (battery disconnection, connector removal, etc.).

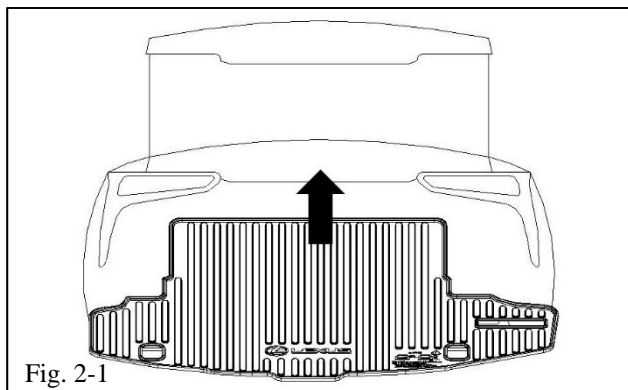
Please see your Lexus dealer for a copy of this document.

**1. Prepare for the Installation.**

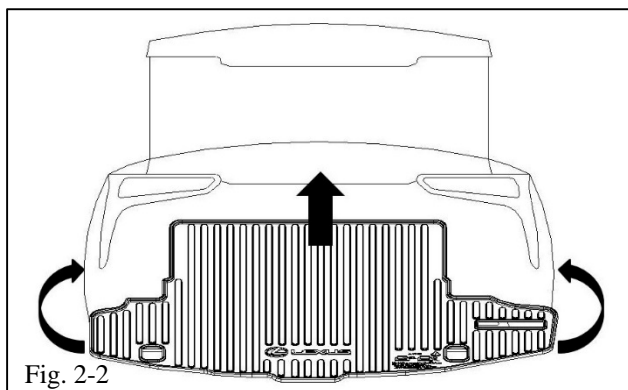
- (a) Open the package and check the part for damage and kit contents.
- (b) Remove any stored items and debris from the trunk area.
- (c) Place vehicle protection over the trunk opening & rear bumper.

**2. Install the Cargo Tray.**

- (a) Place the Cargo Tray in the trunk area with the logo towards the rear of the vehicle and facing up (Fig. 2-1).



- (b) Grasp the tray by the sides and fold it up and inward sufficiently to slide it into the rear compartment (Fig. 2-2).
- (c) After installing the tray, ensure all of the edges are pushed down against the floor.



**3. Complete the Installation.**

- (a) Remove the vehicle protection.
- (b) Close the trunk lid.

Checklist - these points **MUST** be checked to ensure a quality installation.

<u>Check:</u>	<u>Look For:</u>
<p><u>Accessory Function Checks</u></p> <ul style="list-style-type: none"><li><input type="checkbox"/> Correct part number has been installed</li><li><input type="checkbox"/></li><li><input type="checkbox"/></li><li><input type="checkbox"/></li></ul>	<p>Verify part number on package</p>
<p><u>Vehicle Function Checks</u></p> <ul style="list-style-type: none"><li><input type="checkbox"/></li><li><input type="checkbox"/></li><li><input type="checkbox"/></li></ul>	
<p><u>Vehicle Appearance Check</u></p> <ul style="list-style-type: none"><li><input type="checkbox"/> After accessory installation and removal of protective cover(s), perform a visual inspection.</li></ul>	<p>Ensure no damage (including scuffs and scratches) was caused during the installation process. (For PPO installations, refer to TMS Accessory Quality Shipping Standard.)</p>